

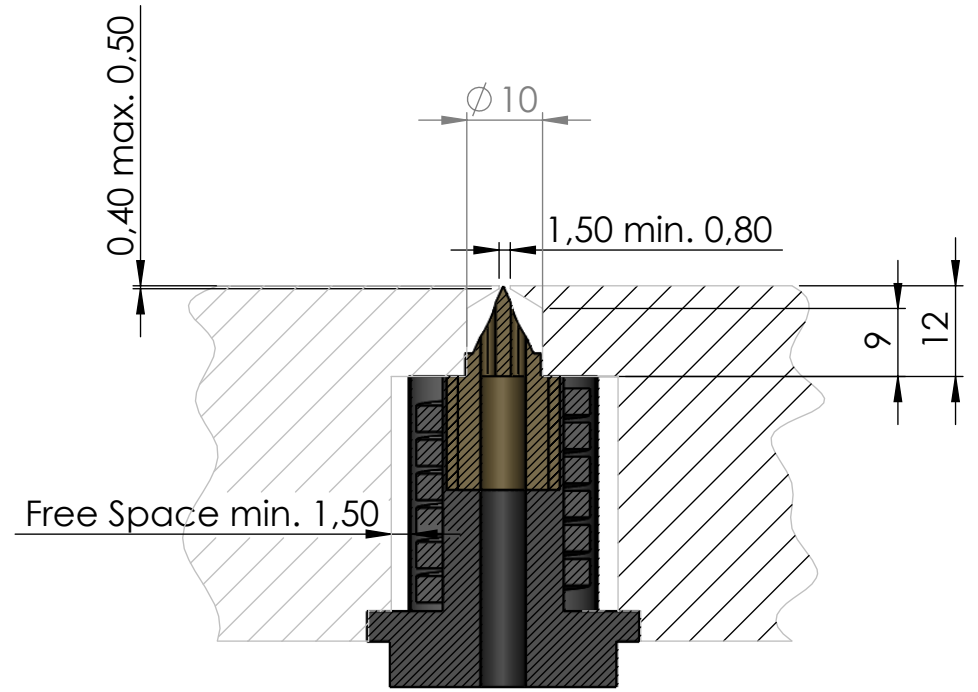
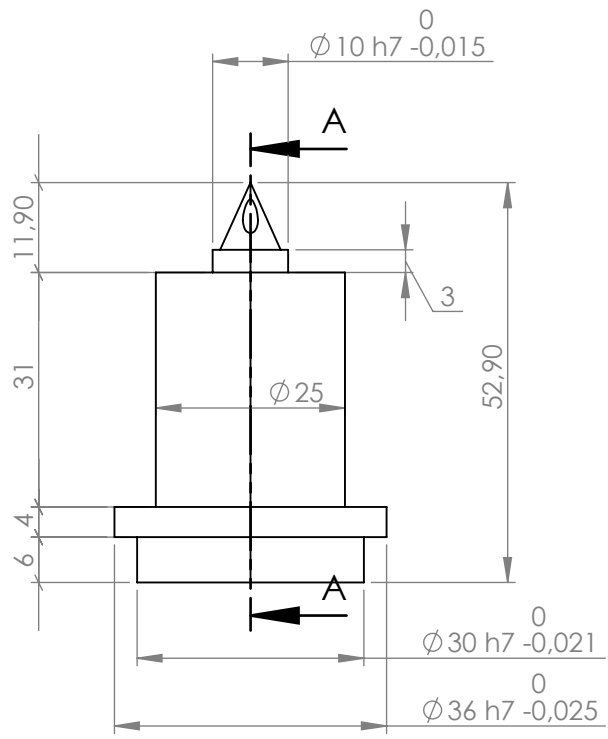
1 2 3 4 5 6

A

B

C

D



SECTION A-A  
SKETCH BUILT IN MOLD

	NAME	DATE	TITLE:	
DRAWN	DRAGAN SARAC	03. April 2015.	Hot Runner Nozzle	
CHK'D	NEMANJA NOVAKOVIC	03. April 2015.		
APPV'D	DRAGAN NOVAKOVIC	03. April 2015.		
BRAND	<b>ESTTHERM™</b>			
PRODUCER:	ESTLAB SR NOVA PAZOVA SERBIA	MATERIAL: BODY: 42CrMo4 NOZZLE TIP: Cu or CuSn14	MODEL:	ETD16X31WC
		DIMENSIONS: All in millimeters (mm)	SCALE:1:1	SHEET 1 OF 1

A4

1 2